

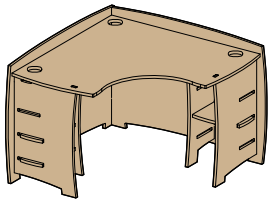


Legaré, L.P.
 3717 S University Dr.
 Fort Worth, TX 76109 USA
 t 817.737.8802
 f 817.737.9984
 www.legarefurniture.com

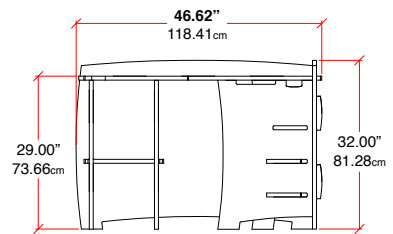
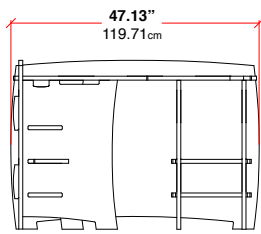
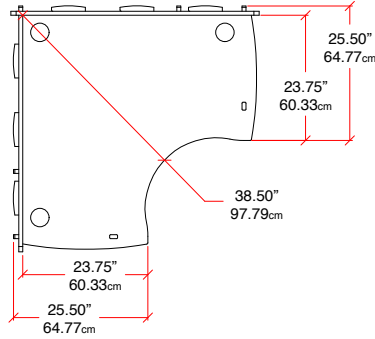
**Select
 Product List
 Jul 24, 2007**



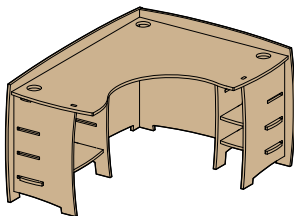
47" x 47" Corner Desk



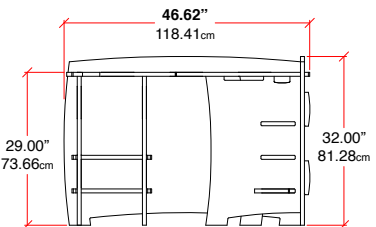
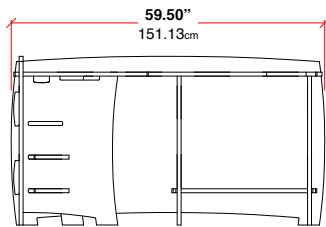
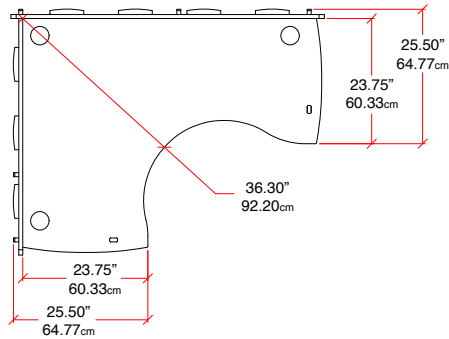
- Finishes** CDEM-110 Espresso Ash
 CDHM-110 Wheat Oak
- Material** 15mm MDF w/Wood Veneer
- Features** Comes with three 12" shelves
 Holds up to six 12" shelves
 Can have peninsulas, bridges
 and/or extensions attached to
 either side



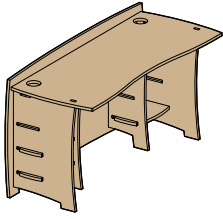
60" x 47" Corner Desk



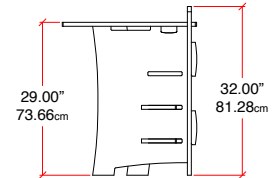
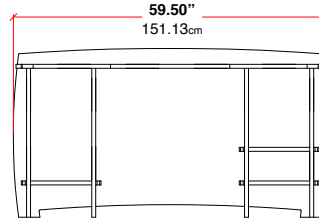
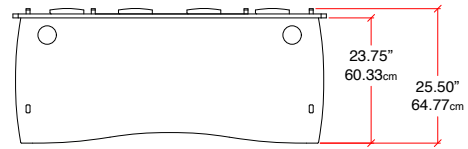
- Finishes** CDEM-120 Espresso Ash
 CDHM-120 Wheat Oak
- Material** 15mm MDF w/Wood Veneer
- Features** Comes with two 12" shelves and
 one 24" shelf
 Holds up to three 12" shelves and
 three 24" shelves
 Asymmetric design can be
 assembled in two different
 configurations
 Can have peninsulas, bridges
 and/or extensions attached to
 either side



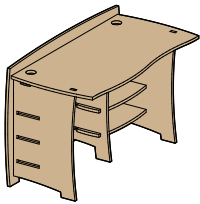
60" Straight Desk



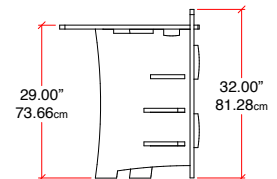
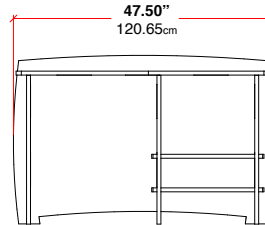
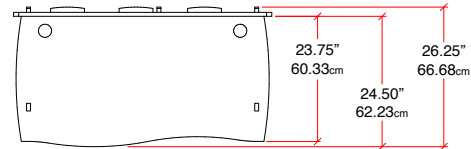
- Finishes** SDEM-140 Espresso Ash
SDHM-140 Wheat Oak
- Material** 15mm MDF w/Wood Veneer
- Features** Comes with three 12" shelves
Holds up to six 12" shelves
Can have peninsulas, bridges and/or extensions attached to either side



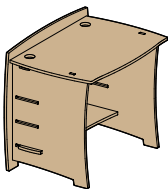
48" Straight Desk



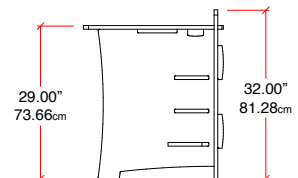
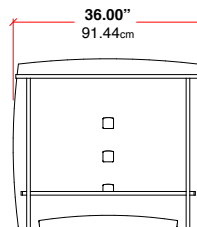
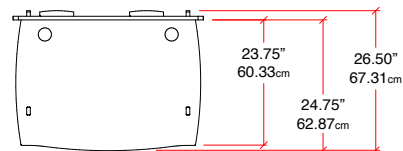
- Finishes** SDEM-115 Espresso Ash
SDHM-115 Wheat Oak
- Material** 15mm MDF w/Wood Veneer
- Features** Comes with two 18" shelves
Holds up to three 18" shelves
Asymmetric design can be assembled in two different configurations
Can have peninsulas, bridges and/or extensions attached to either side



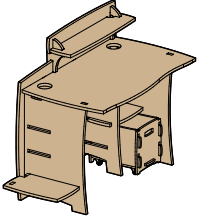
36" Straight Desk



- Finishes** SDEM-100 Espresso Ash
SDHM-100 Wheat Ash
- Material** 15mm MDF w/Wood Veneer
- Features** Comes with one 29.5" shelf
Holds up to three shelves
Can have peninsulas, bridges and/or extensions attached to either side



43" Kids' Multi-Pack Desk



Finishes MP5M-210 Strawberry & Cream
MPBM-210 Blueberry & Cream
MPGM-210 Pistachio & Cream

Material 15mm MDF w/Enamel Finish

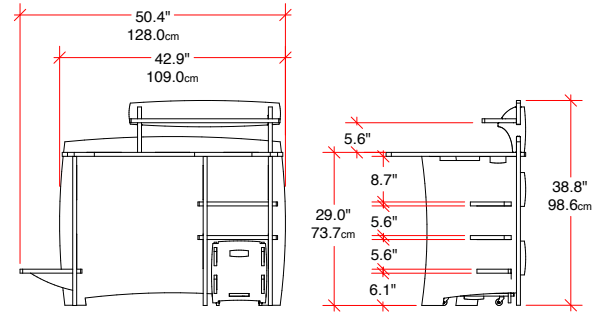
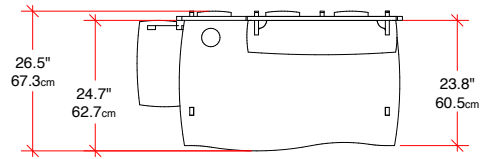
Features Includes 43" Straight Desk, 29" Accessory Shelf, 17" Side Shelf and Letter File Cart

Panels are asymmetric and reversible, so the desk can be assembled with the shelves on the left or right

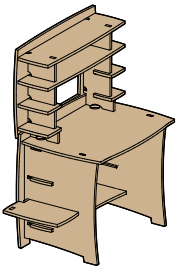
Desk includes two 12"W x 10"D shelves

Built-in cable management

Durable baked-enamel finish



36" Kids' Multi-Pack Desk + Hutch



Finishes MPDM-100 Ebony & Wheat
MPWM-100 White

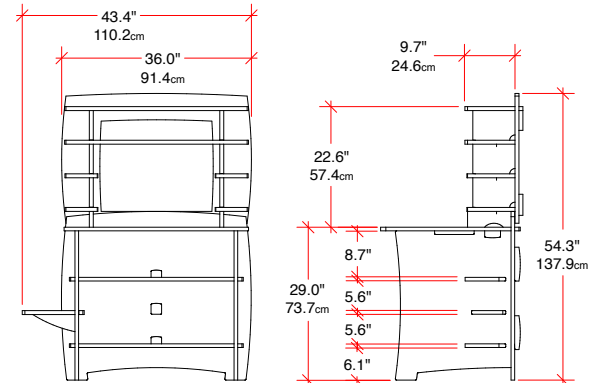
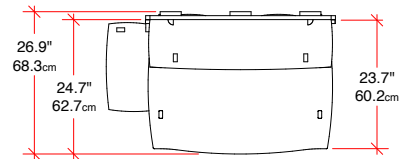
Material 15mm MDF w/Wood Veneer or
15mm MDF w/Enamel Finish

Features Includes 36" Straight Desk, 36" Hutch and 17" Side Shelf

Hutch has adjustable shelves to accommodate a laptop or desktop computer

Desk includes two shelves

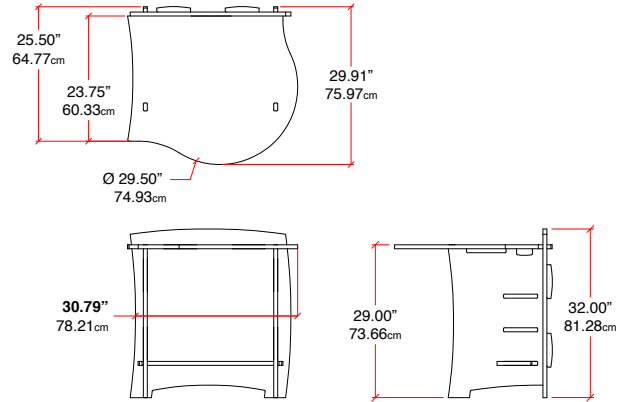
Built-in cable management



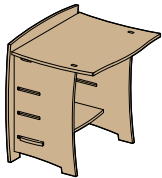
31" Peninsula



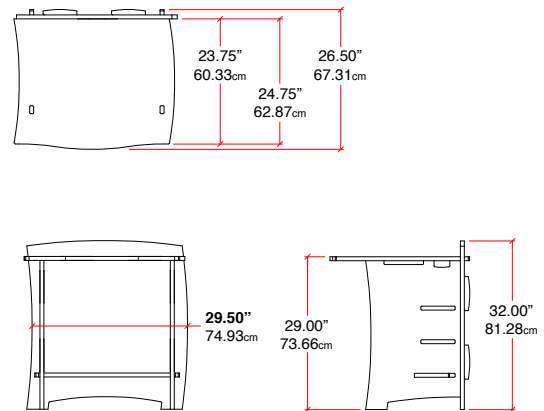
- Finishes** PNEM-110 Espresso Ash
PNHM-110 Wheat Oak
- Material** 15mm MDF w/Wood Veneer
- Features** Comes with one 24" shelf
Holds up to three 24" shelves
Asymmetric design can be assembled in two different configurations
Can be attached to straight desks, corner desks or extensions



30" Extension



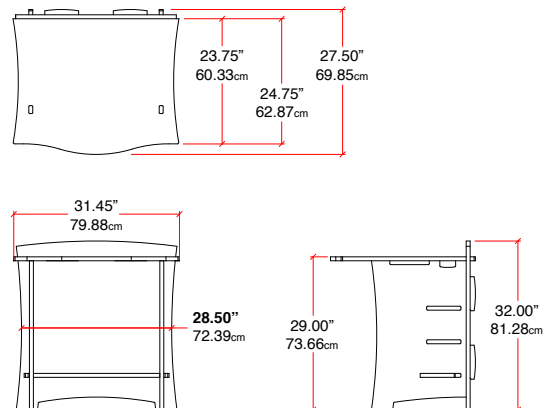
- Finishes** EXEM-120 Espresso Ash
EXHM-120 Wheat Oak
- Material** 15mm MDF w/Wood Veneer
- Features** Comes with one 24" shelf
Holds up to three 24" shelves
Asymmetric design can be assembled in two different configurations
Can be attached to straight desks, corner desks, bridges or extensions



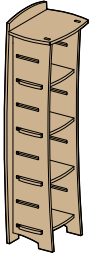
29" Bridge



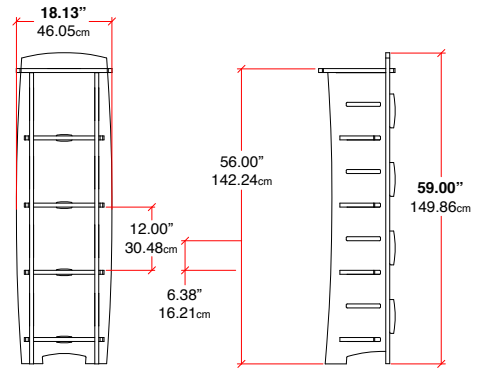
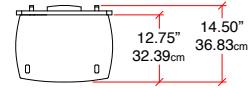
- Finishes** BREM-120 Espresso Ash
BRHM-120 Wheat Oak
- Material** 15mm MDF w/Wood Veneer
- Features** Comes with one 24" shelf
Holds up to three 24" shelves
Can be attached to straight desks, corner desks or extensions



59" x 18" Bookcase



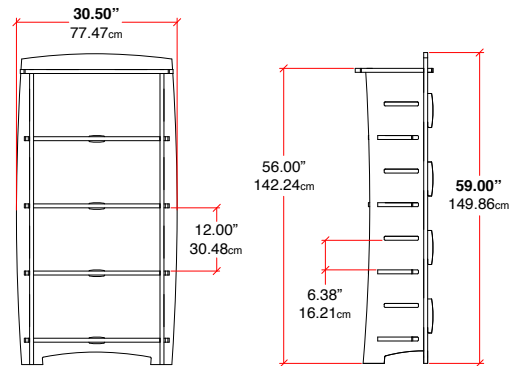
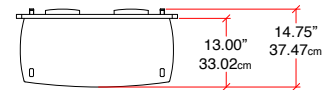
- Finishes** BCEM-110 Espresso Ash
 BCHM-110 Wheat Oak
 BCDM-110 Ebony & Wheat
 BCSM-110 Strawberry & Cream
 BCBM-110 Blueberry & Cream
 BCGM-110 Pistachio & Cream
 BCWM-110 White
- Material** 15mm MDF w/Wood Veneer or
 15mm MDF w/Enamel Finish
- Features** Comes with four 12" shelves
 Holds up to eight 12" shelves



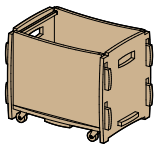
59" x 31" Bookcase



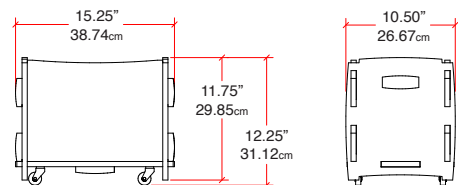
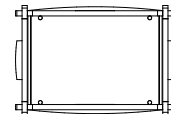
- Finishes** BCEM-120 Espresso Ash
 BCHM-120 Wheat Oak
- Material** 15mm MDF w/Wood Veneer
- Features** Comes with four 24" shelves
 Holds up to eight 24" shelves



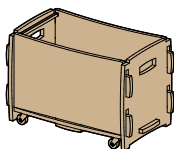
Letter File Cart



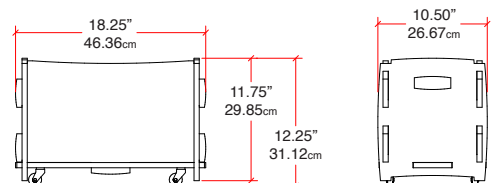
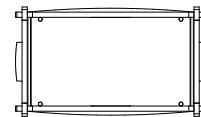
- Finishes** FCEM-110 Espresso Ash
 FCHM-110 Wheat Oak
- Material** 12mm MDF w/Wood Veneer
- Features** Can be configured to stack or roll
 Two file rails
 Four casters



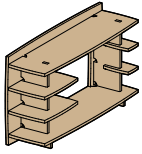
Legal File Cart



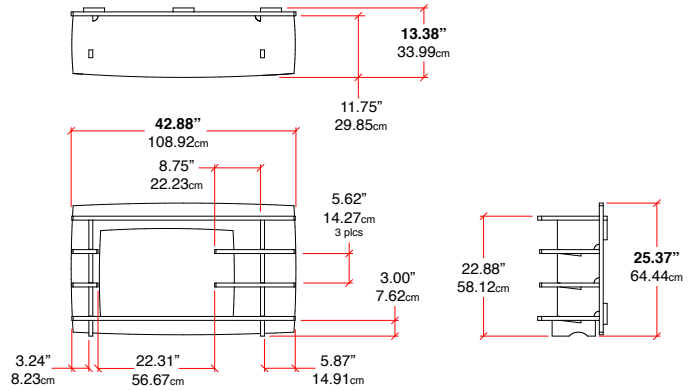
- Finishes** FCEM-120 Espresso Ash
 FCHM-120 Wheat Oak
- Material** 12mm MDF w/Wood Veneer
- Features** Can be configured to stack or roll
 Two file rails
 Four casters



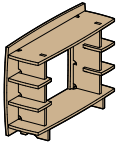
43" Straight Hutch



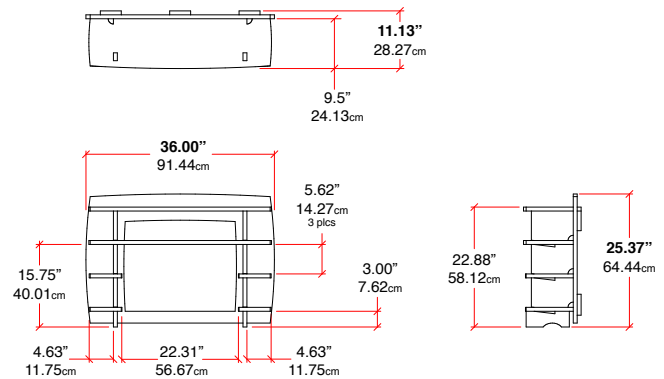
- Finishes** HTEM-110 Espresso Ash
HTHM-110 Wheat Oak
- Material** 15mm MDF w/Wood Veneer
- Features** Asymmetric design can be assembled with monitor opening on left or right
Lower shelf can be installed low for a desktop monitor or high for a laptop



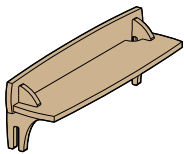
36" Straight Hutch



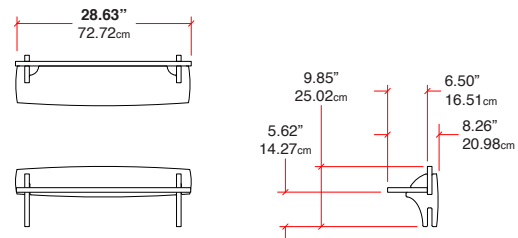
- Finishes** HTEM-100 Espresso Ash
HTHM-100 Wheat Oak
- Material** 15mm MDF w/Wood Veneer
- Features** Lower shelf can be installed low for a desktop monitor or high for a laptop



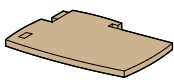
29" Accessory Shelf



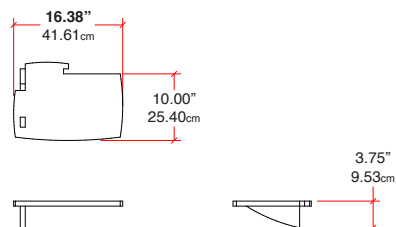
- Finishes** ASEM-110 Espresso Ash
ASHM-110 Wheat Oak
- Material** 15mm MDF w/Wood Veneer
- Features** Fits backs wider than 24" or spans across multiple units

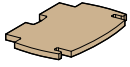


17" Side Shelf



- Finishes** ASEM-120 Espresso Ash
ASHM-120 Wheat Oak
- Material** 15mm MDF w/Wood Veneer
- Features** Fits available slot on outside of straight desks, corner desks, peninsulas, extensions or bridges

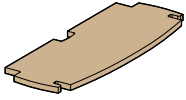
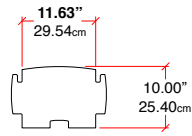




12" Shelf

Finishes SHEM-110 Espresso Ash
SHHM-110 Wheat Oak

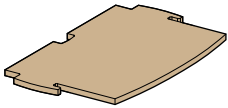
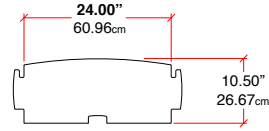
Material 15mm MDF w/Wood Veneer



24" Shelf

Finishes SHEM-120 Espresso Ash
SHHM-120 Wheat Oak

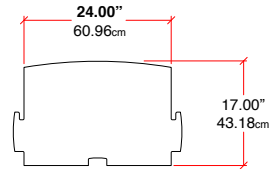
Material 15mm MDF w/Wood Veneer



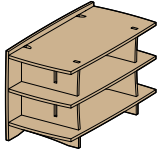
24" Deep Shelf

Finishes SHEM-122 Espresso Ash
SHHM-122 Wheat Oak

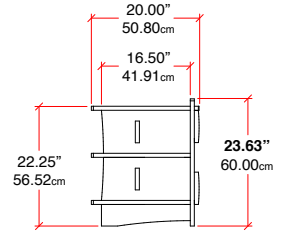
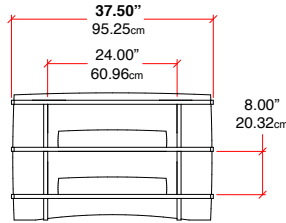
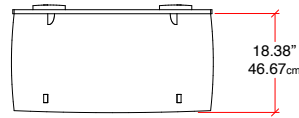
Material 15mm MDF w/Wood Veneer



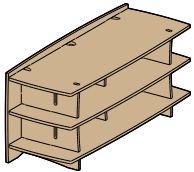
24" x 38" Media Stand



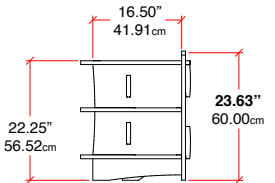
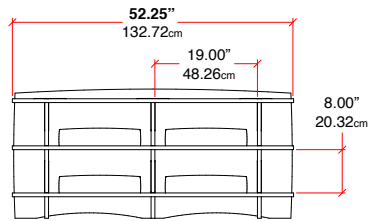
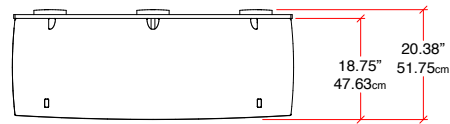
- Finishes** STEM-115 Espresso Ash
 STHM-115 Wheat Oak
 STKM-115 Ebony Ash
 STD M-115 Ebony & Wheat
- Material** 15mm MDF w/Wood Veneer
- Features** Three shelves provide two bays for components, a television on top and more than 120 DVDs or 170 CDs on the sides



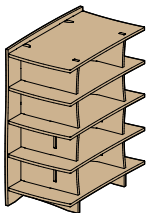
24" x 53" Media Stand



- Finishes** STEM-120 Espresso Ash
 STHM-120 Wheat Oak
 STKM-120 Ebony Ash
 STD M-120 Ebony & Wheat
- Material** 15mm MDF w/Wood Veneer
- Features** Three shelves provide four bays for components, a wide-screen television on top and more than 120 DVDs or 170 CDs on the sides



42" x 33" Media Tower



- Finishes** TWEM-110 Espresso Ash
 TWHM-110 Wheat Oak
 TWKM-110 Ebony Ash
 TWDM-110 Ebony & Wheat
- Material** 15mm MDF w/Wood Veneer
- Features** Five shelves provide four bays for components, a television on top and more than 240 DVDs or 340 CDs on the sides

